

● DESIGN | ● BUILD | ● SUPPLY



Delivery Box

Standard unit may not be exactly as shown.



20' Delivery Box

Standard Equipment

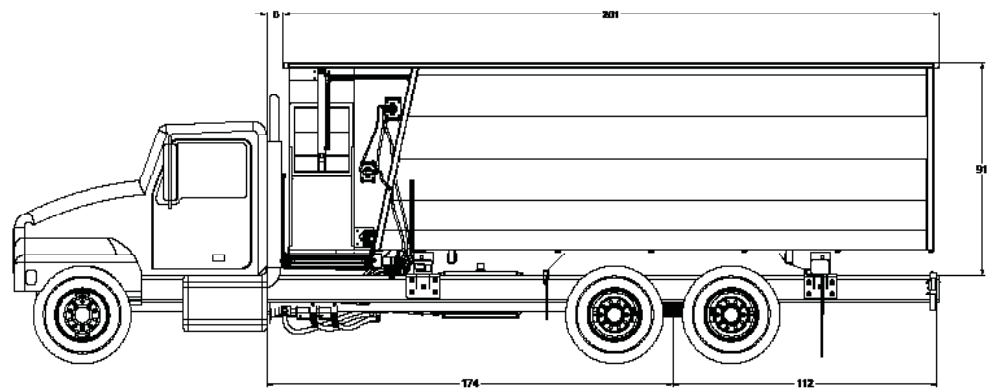
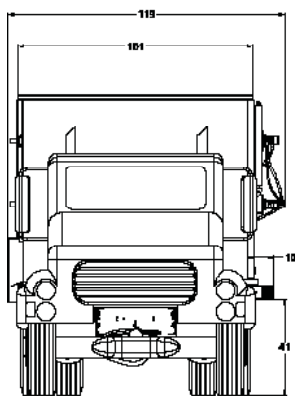
- load height- 133" on 42" truck frame with no extensions
- discharge height- 45" on 42" frame less drop chute
- total width is around 115" box length is 23 ft with 20 ft capacity
- 10 ga stainless floor with 12" lower side
- super slide plastic bottom liner-prevents feed tailings from falling on the ground
- easy access back end
- "auto-feed floor drive" operator can select for each different feed ration
- 4 pt. DG Stad 04 Scale system with in-cab scale, mounted weight repeater and mirror mount

Truck Specs

- 300 hp engine and automatic transmission with 300 ft lb pto provision
- 16k front axle and 44k rear
- double frame with 174" CA clear dimension and 112" after frame

Delivery Box Truck

	Imperial	Metric
Empty Weight	TBD	TBD
Max. Payload At 5mph / 8km/h	TBD	TBD
Height	91in.	231cm
Overall Width	102 in.	259 cm
Overall Length	281 in.	714 cm





24' Delivery Box

Standard Equipment

- load height- 133" on 42" truck frame with no extensions
- discharge height- 45" on 42" frame less drop chute
- total width is around 115" box length is 23 ft with 20 ft capacity
- 10 ga stainless floor with 12" lower side
- super slide plastic bottom liner-prevents feed tailings from falling on the ground
- easy access back end
- "auto-feed floor drive" operator can select for each different feed ration
- 4 pt. DG Stad 04 Scale system with in-cab scale, mounted weight repeater and mirror mount

Truck Specs

- 330 hp engine and automatic transmission with 300 ft lb pto provision
- 18k front axle and 46k rear
- double frame with 198" CA clear dimension and 134" after frame

Delivery Box Truck

	Imperial	Metric
Empty Weight	TBD	TBD
Max. Payload At 5mph / 8km/h	TBD	TBD
Height	91in.	231cm
Overall Width	102 in.	259 cm
Overall Length	330in.	838 cm

