

Pneumatic planter with shoes



MONOSEM

NC

The Precision Planter Specialist

NC Classic metering unit

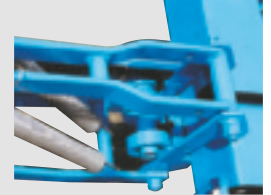
The fruit of the MONOSEM expertise, the NC is a multi-purpose pneumatic planter with shoes. It is offered in two versions, the NC Classic and the NC Technic both of which supersede the NG and PNU planters.

The NC Classic is a simple and strong planter for Maize-Sunflower. The NC Technic is a more multi-purpose planter with a modular concept and a patented tandem system, with versions suitable for Maize, Sunflower, Bean, Sugarbeet, Soya, Peanut and Cotton.

Like the NG Plus planters, the NC is offered with a range of optional equipment, including the popular seed monitors or row cut-off systems.

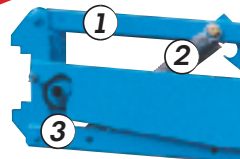
1 • Heavy-duty parallel linkage

The heavy-duty parallel linkage with its long travel is mounted on replaceable metallic bushes. The parallel linkage ready designed to be equipped with the electromagnetic or mechanical row cut-off system.



2 • Safety clutch

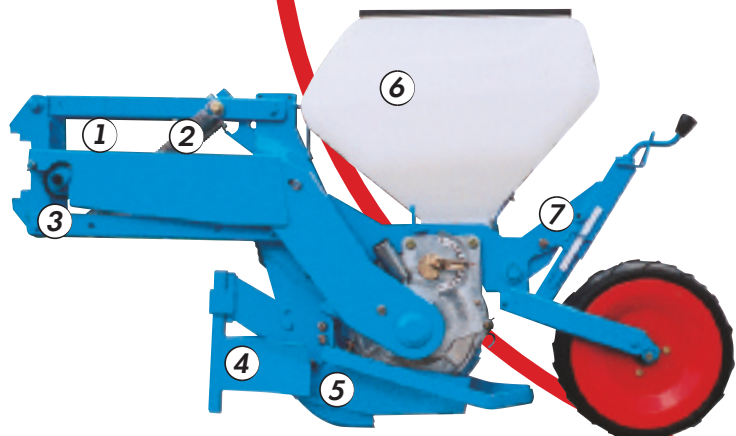
Safety system with audible safety clutch is standard.



NC Classic V1

Maiz

NC Classic V2



3 • Down pressure spring

Double down pressure springs. (An additional adjustable spring is optional).



4 • Clod remover

The essential clod remover, adjustable in height is delivered as standard on the NC Classic metering units.



5 • Maize shoe

Maize shoe with replaceable tip.



NC Classic metering unit equipment

Metering unit type	Classic V1	Classic V2	Classic V3
40L hopper	●	●	●
20L hopper	○	○	○
Clod remover	●	●	●
Adjustable knife opener	○	○	○
Double-disc openers	○	○	○
Long scrapers	○	●	●
Short scrapers	-	○	-
Scrapers on steel V-wheels	●	-	-
Additional adjustable spring (1)	○	○	○
Mechanical row cut-off with lever	○	○	○
Electromagnetic row cut off	○	○	○

● : Standard
○ : Optional
- : Not possible
(1) : Please consult us

6 • Hopper

Heavy-duty plastic hopper with a 40 litre capacity as standard. (Hopper 20 litres optional).



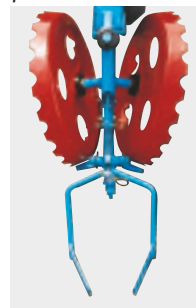
7 • Depth adjustment

The working depth adjustment with crank adjuster and reference index is very simple and precise.



8 • Rear press wheels

The NC Classic offers the choice of three types of rear press wheels mounted on sealed ball bearings.



Steel V-wheels



370 x 170
Farmflex



500 x 175
Farmflex

9 • Options

Adjustable knife opener.



Double-disc openers



Short scrapers



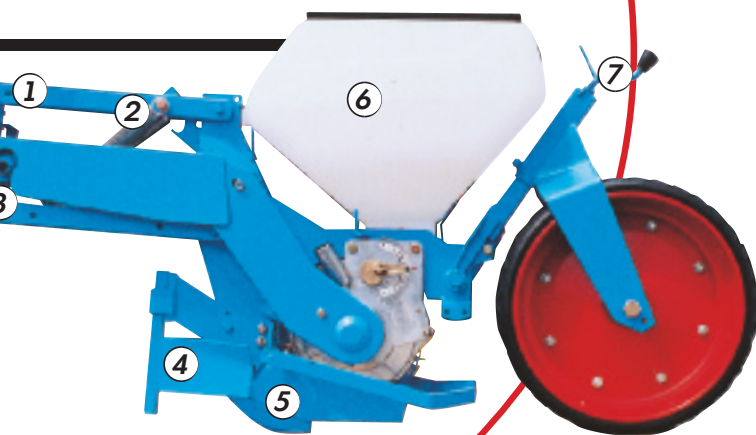
Additional adjustable spring (1)



NC hopper 20 litres



e - Sunflower



NC Classic V3

NC Technic metering unit

The NC Technic is a multi-purpose planter with shoe for Maize, Sunflower, Bean, Sugarbeet, Soya, Peanut, Rapeseed. etc

The NC Technic is equipped with rear V self-cleaning Farmflex wheels and a fast depth adjustment system by lever.

It also features a modular design concept and offers a patented tandem system. This system uniquely allows, three possibilities of depth control.

The user can quickly and simply alter the unit from front wheel depth control to tandem depth control or to rear depth control as required.

2 • Down pressure spring

Double down pressure springs. (An additional adjustable spring is optional).



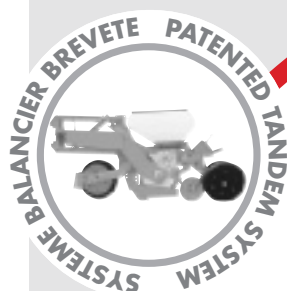
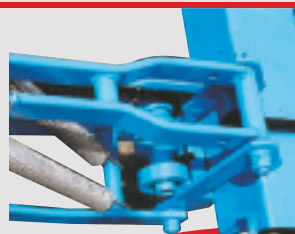
3 • Rear V press wheels

Rear packing unit with two self-cleaning "V" press wheels (40mm) wide, are mounted on reinforced bearings. (Narrow wheels 25mm optional). The rear V press wheels are easily adjustable in width and the unit offers four rearward positional settings.



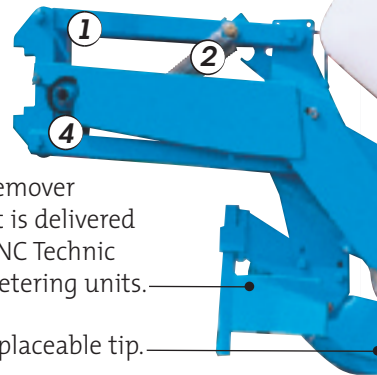
1 • Heavy-duty parallel linkage

The heavy-duty parallel linkage with its long travel is mounted on replaceable metallic bushes. The parallel linkage ready designed to be equipped with the electromagnetic or mechanical row cut-off system.



Maize - S

40-litre plastic hopper.



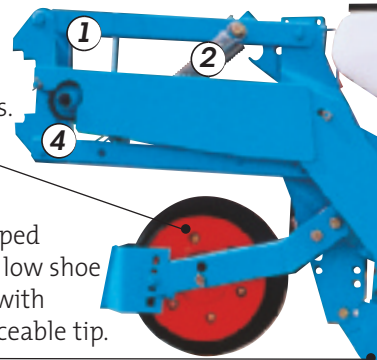
The essential clod remover adjustable in height is delivered as standard on the NC Technic Maize-Sunflower metering units.

Maize shoe with replaceable tip.

Sugarbeet - Paten

20-litre p

Front wheel 300 x 100 with self-cleaning tyre mounted on sealed ball bearings.



Specially shaped sugarbeet low shoe (share) with replaceable tip.

Intermediate stainless on ball bearings with (Press wheel with self

NC Technic Maize metering unit with double-discs.



NC Technic Maize metering unit with double-discs & depth wheels.



NC Technic Beans metering unit (Maize with tandem).



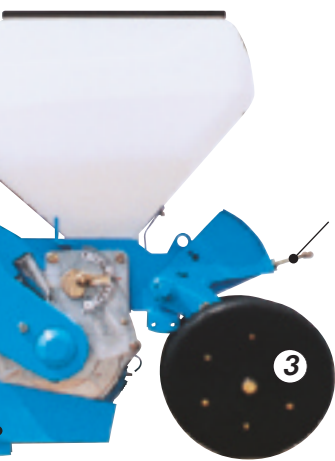
NC Technic metering unit equipment

4 • Safety clutch

Safety system with audible safety clutch is standard.

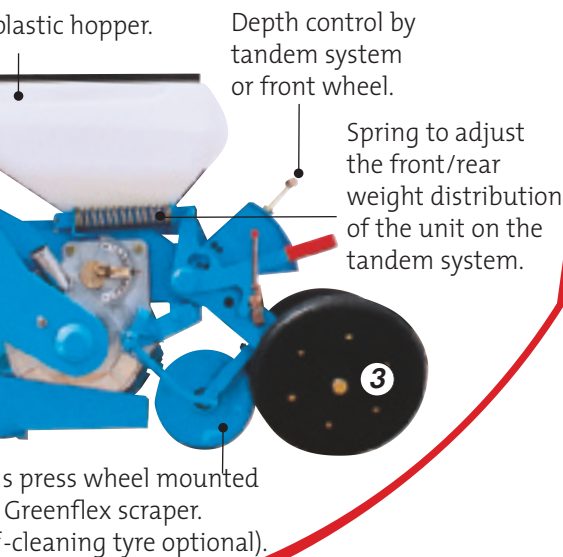


unflower



Depth control with rear wheels.

ted tandem system



NC Technic Sugarbeet metering unit with double-discs & side wheels.



Metering unit type	Maize			Beans	Sugarbeet		Rapeseed
	Standard	Double-discs	Double-discs & depth wheels (3)	Standard & Maize tandem	Standard	Double-discs & side wheels	Standard
40L hopper	●	●	●	●	○	○	○
20L hopper	○	○	○	○	●	●	●
Clod remover	●	○	●	○	○	○	○
Adjustable knife opener	○	-	-	-	-	-	-
Double-disc openers	○	●	●	○	○	○	○
Tandem system	○	○	●	●	●	●	●
Front depth wheels 260 x 90 2) 3)	○	○	●	○	-	-	-
Front wheel 300 x 100 2)	○	○	○	●	●	○	●
Double-discs & side wheels 2)	-	-	-	-	○	●	○
Maize shoe	●	●	●	●	-	-	-
Sugarbeet shoe	-	-	-	-	●	●	●
Long scrapers	○	○	○	○	○	○	○
Intermediate steel press wheel	○	○	○	○	●	●	●
Intermediate press wheel with self-cleaning tyre	○	○	○	○	○	○	○
Scraper for rear V-wheels	○	○	○	○	○	○	○
Crumbler kit	-	-	-	-	○	○	○
Additional adjustable spring 1)	○	○	○	○	○	○	○
Mechanical row cut-off with lever	○	○	○	○	○	○	○
Electromagnetic row cut off	○	○	○	○	○	○	○

● : Standard ○ : Optional - : Not possible

1) : Please consult us

2) : Only with tandem system

3) : Minimum inter-row spacing 70 cm, not compatible with telescopic frame.

5 • Options

Adjustable knife opener



Electromagnetic row cut-off



Mechanical row cut-off with lever



Long scrapers



Intermediate press wheel with self-cleaning tyre



Scraper for rear V-wheels

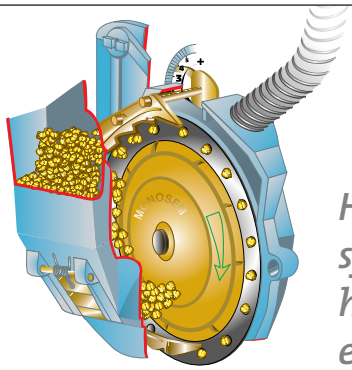


Crumbler kit



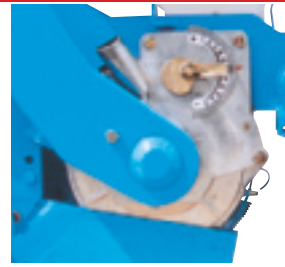
Additional adjustable spring (1)





Distribution

High quality planting demands a good distribution system. This is why MONOSEM offers all their know how in order to give you an accurate, simple and extremely reliable distribution system.



- One single adjustment for air and selection (Monosem patent).
- Spindle with sealed ball bearings.

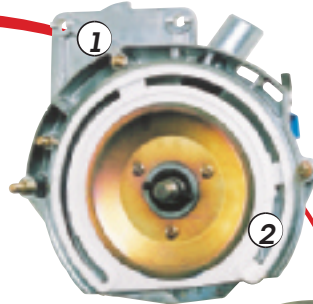


Total emptying

The shape of the metering box and the position of the trap door enable a total emptying.

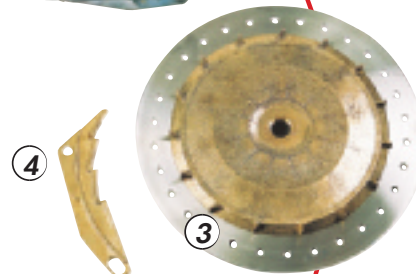
1 • Cast aluminium metering box

The metering box is made from cast aluminium. Year after year the metering will always be just as accurate unaffected by temperature variations.



2 • Wear gasket

The wear gasket made of Teflon is in permanent contact with the disc, ensuring a perfect seal, and it is replaceable.



3 • Discs

The stainless steel discs are rigid and 1,5 mm thick. The agitator is fixed on to the disc providing even greater rigidity to the unit.



Interchangeable seed discs

Seed discs are changed very easily without the need for any tools. A complete range of seed discs for planting different crops is available.



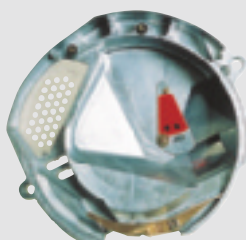
4 • Scraper

The adjustable brass scraper avoids doubles.



5 • Cover

The alloy cover is specially designed for planting with a minimum of seeds.



Control window

The wide control window provides easy access to view the seed singulation in the metering system allowing for simple adjustment and control.



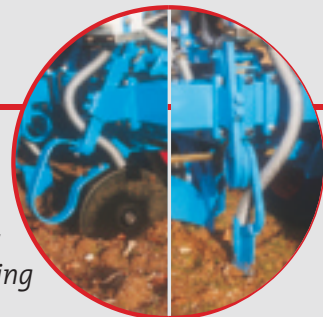
Fertiliser and Microsem



Standard fertiliser attachments, high capacity hoppers or a front mounted hopper. You can choose the system best suited to your planting.

Fertiliser applicators

According to your soil types and their preparation, the applicators are offered with either knives or discs depending on the models.



Insecticide and Helicide Microsem

The patented Microsem system with auger ensures a constant dosing of the microgranular product. Its simple design means it is easy to use and very reliable. Multi-purpose, the Microsem is compatible with the nearly all the microgranular products on the market (insecticides, helicides ...).



Seed monitors and row cut-off system

Specialists in precision planters, MONOSEM offers a wide range of seed monitors. From the simple checking of the seed drop to the counting with indication of the distance between seeds, you will find the monitor suited to your requirements.

Electromagnetic row cut-off system with manual control

The electromagnetic row cut-off systems with manual control enable the individual declutching of each metering unit from the tractor cab. Each row is equipped with a rotation control light. This system is available in 2, 4, 6, 8 and 12 rows.



Seed monitors with row cut-off system



The CS 4000 and CS 5000* seed monitors can be equipped as an option with the row cut-off system. In this case, the metering unit declutching control is made via the seed monitors.

The CS 4000 unit enables the control and cut-off of up to 8 rows and the CS 5000* up to 12 rows.



CS 1000-8*

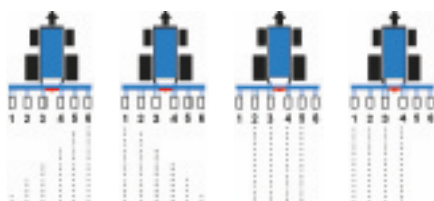


CS 3000*

The electromagnetic row cut-off systems enable an individual declutching of each metering unit from the tractor cab. The control box operates the electromagnetic clutches situated on the metering units. Several models of control boxes are offered.

Examples

* Later availability (During 2005).



Technical features

Planter type NC

Frames	Rigid			Single telescopic	Folding	Wide configuration mounted frames	
Width (Transport)	3m00 (3m00)	4m50 (4m50)	6m10 (6m10)	4m50 (3m00) (1)	6m00 (3m00) (2)	9m40 & 12m60 (3m00 with integrated transport carriage)	
Number of rows, maize (Sugarbeet)	4 (6)	6	8 (12)	6	8 (12)	12 (18)	16
Inter-row spacings, maize cm (Sugarbeet) cm	70-75-80 (45)	70-75-80	70-75-80 (45-50)	70-75-80	75-80 (45-50)	70-75-80	70-75-80
Turbofan	Drive by PTO 540 rpm as standard, 450 or 1000 rpm optional, PTO with free wheel optional					PTO or hydraulic drive 500 rpm	
Tyres	2 x (500x15)	2 x (6,5x15)	4 x (500x15)	2 x (6,5x15)	4 x (6,5x15)	8 x (6,5x15)	8 x (6,5x15)
Seed spacing gearbox (16 settings)	1	1	2	1	3	2	2
Hydraulic row markers	○	●	●	●	●	●	●
Standard fertiliser	○	○	○	○	○	○	○
High capacity fertiliser	2 x 175L ○	2 x 270L ○	4 x 175L ○	2 x 270L ○	4 x 175L -	6 x 175L -	8 x 175L -
Fertiliser auger	1 x 1000L ○	2 x 700L ○	2 x 1000L -	1 x 900L ○	- ○	- ○	- ○
Front fertiliser 1000 or 1600 L	TF	TF	TF	TF	TF	-	-
Microsem	○	○	○	○	○	○	○
Insecticide	○	○	○	○	○	○	○
Helicide	○	○	○	○	○	○	○
Hectare counter	○	○	○	○	○	○	○
Seed monitors	○	○	○	○	○	○	○ 1)
Row cut-off system	○	○	○	○	○	-	-
Lighting kit	○	○	○	○	○	○	○
Integrated transport carriage	-	-	-	-	-	○	○
Weight maize planter only (Sugarbeet)	600 kg (750 kg)	850 kg	1200 kg (1500 kg)	980 kg	1750 kg (2000 kg)	2850 kg Carriage : 950 kg	3700 kg Carriage : 950 kg

Main NC seed discs

Type of seed	Standard discs delivered	Number of holes	Diameter of holes	Distances on the row	Other possibilities, number and Ø of holes
Maize	DC 3050	30	5 mm	7 → 21,5 cm	18-24-36 & Ø 3,7 - 4,5 - 6 mm
Sunflower	DC 2425 / DC 1825	24 / 18	2,5 mm	9 → 26,5 cm / 13 → 35,5 cm	12 - 9 & Ø 1,8 mm
Sugarbeet	DC 3020	30	2 mm	7 → 21,5 cm	24
Beans	DC 6045 - DC 6035	60	4,5 & 3,5 mm	3,5 → 11 cm	Ø 2 - 2,5 - 3 - 4 mm
Soya - Peas	DC 6045	60	4,5 mm	3,5 → 11 cm	72
Rapeseed	DC 7212	72	1,2 mm	3 → 9 cm	36 - 120
Sorghum	DC 7222	72	2,2 mm	3 → 9 cm	36
Kidney beans	DC 3060	30	6 mm	7 → 21,5 cm	Ø 5 - 6 - 6,5 mm
Peanut	DC 3065	30	6,5 mm	7 → 21,5 cm	36 & Ø 5,5 - 6 mm
Cotton	DC 3635	36	3,5 mm	6 → 18 cm	

● : Standard
○ : Optional
- : Not possible

1) : Width on road 3m00 with NC Classic V2 and V3 with inter row spacing 75 cm. Width on road 3m40 with NC Classic V1 at 75 cm and 3m15 with NC Technic. For larger inter row spacings than 75 cm, width on road is 3m50.

2) : Under certain conditions, please consult us. For other models, special inter-row spacings and other crops, please consult us.

REFC
Ce document participe à la protection de l'environnement. Il est imprimé sur papier promouvoir la gestion durable des forêts par OUEST IMPRESSIONS EUROPE agréé imprim'vert. N° de chaîne de contrôle FCBA 07-40826



Multi-purpose pneumatic planter with double discs NG Plus 3.



Mechanical planters for pelleted sugarbeet MECA 3.



Special vegetable planter for mini-seeds MS.



Transplanters
SUPER-PREFER



Cultivators
SUPER-CROP

All the data concerning the equipment, the general appearance, the weight and dimensions are current at the date of printing and vary according to countries. They may be modified without previous notice. This brochure cannot be considered as a binding document. Your Monosem partner will not hesitate in informing you of any possible changes.

COMPAGNIE COMMERCIALE RIBOULEAU

8, rue de Berri - 75008 PARIS - FRANCE

Factories – Technique - Research - Information

12, rue Edmond Riboulet - 79240 LARGEASSE France

Tél. 00 33 5 49 81 50 00 - Fax 00 33 5 49 72 09 70

www.monosem.com

Distributor